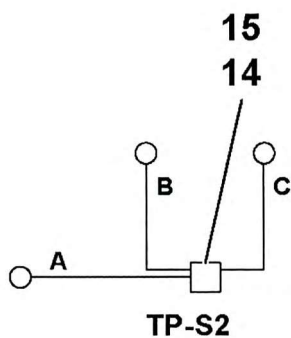
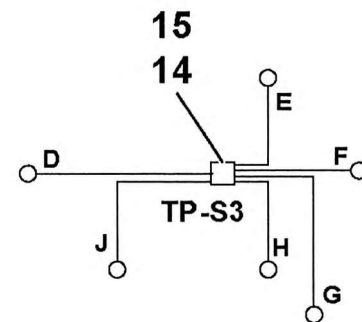


Manitowoc Cranes

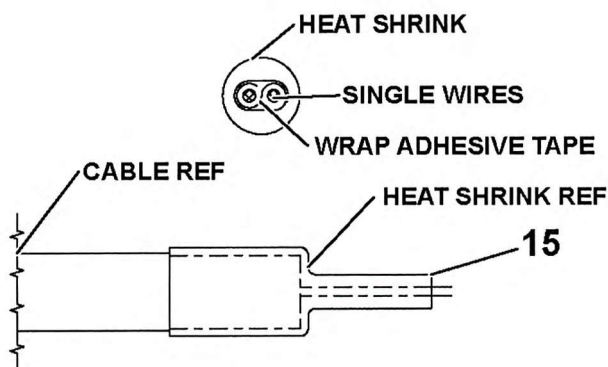
WIRE NO	COLOR	SAE SIZE	LENGTH TOT IN	TP	B/M ITEM NO	REMARKS	TP	B/M ITEM NO	REMARKS
51A	WHT	14	89	A	10	————	S2	STRIP	SEE DETAIL
51B	↑	16	23	B	12, 13	————	S2	STRIP	SEE DETAIL
51C		16	49	C	12, 13	————	S2	STRIP	SEE DETAIL
51D		14	127	A	10	————	S3	STRIP	SEE DETAIL
51E		16	9	D	10	————	S3	STRIP	SEE DETAIL
51F		16	9	D	10	————	S3	STRIP	SEE DETAIL
51G		16	9	D	10	————	S3	STRIP	SEE DETAIL
51H		16	9	D	10	————	S3	STRIP	SEE DETAIL
51J		16	127	A	10	————	S3	STRIP	SEE DETAIL
1060		16	138	A	10	————	C	12, 13	————
1062		16	110	A	10	————	B	12, 13	————
1263		16	136	A	10	————	D	10	————
1264		16	136	A	10	————	D	10	————
1265	↓	16	136	A	10	————	D	10	————
1266	WHT	16	136	A	10	————	D	10	————
2070C	WHT	18	8	A	26	————	S4	STRIP	SEE DETAIL
2071B	WHT	18	7	A	26	————	S4	STRIP	SEE DETAIL
2072B	WHT	18	6	A	26	————	S4	STRIP	SEE DETAIL



DETAIL 51



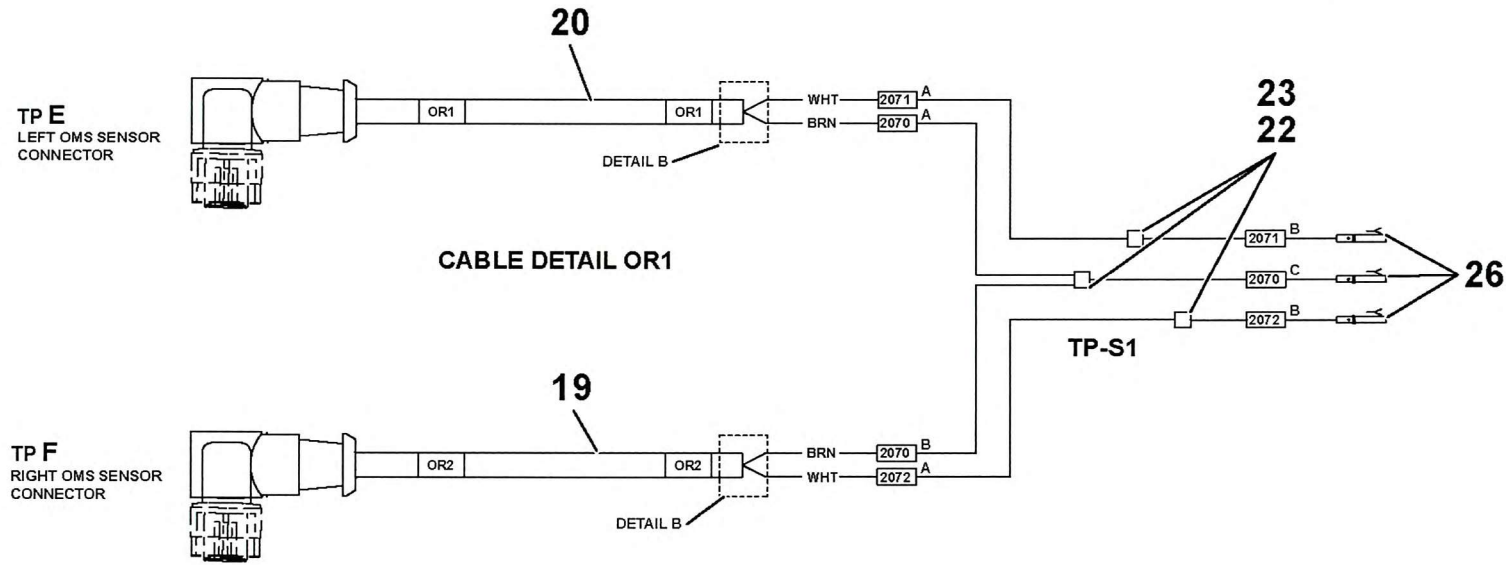
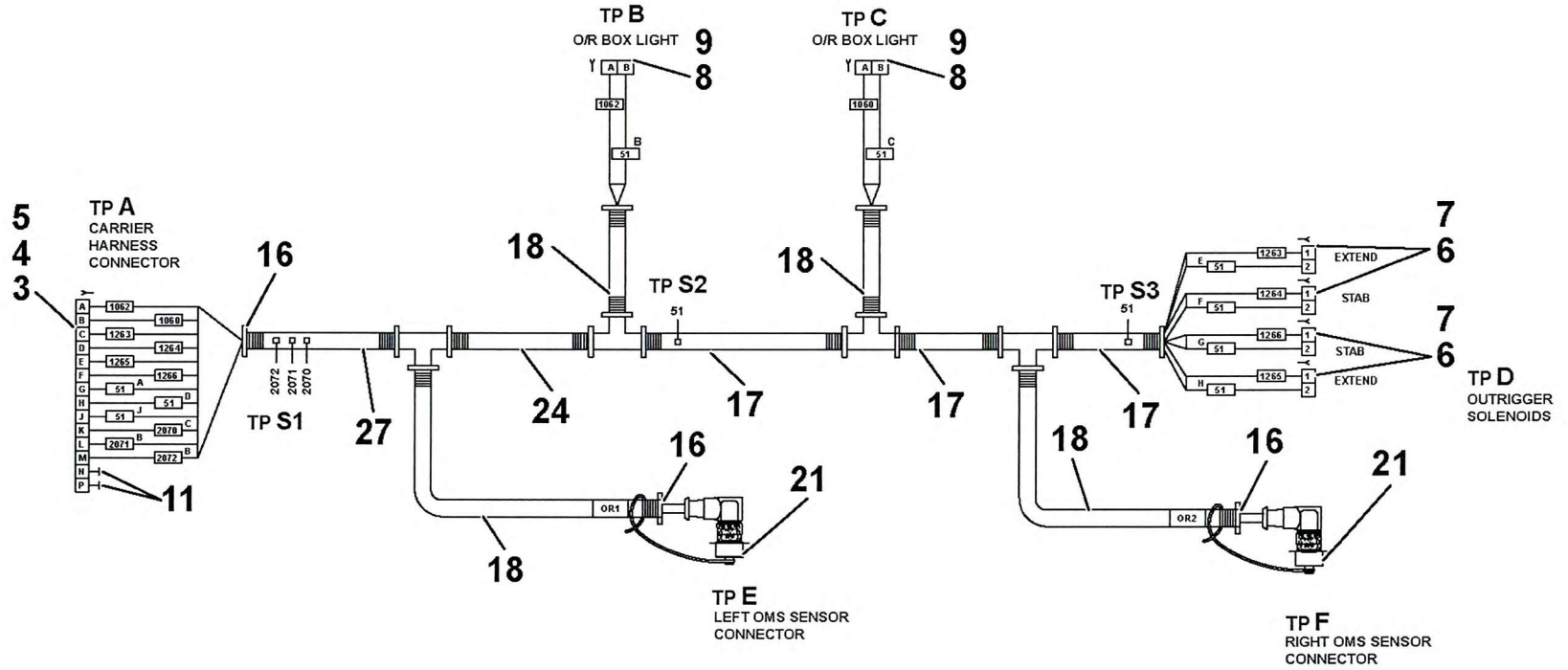
DETAIL 51



**DETAIL B
CABLE END**

80035301

(SHEET 2 OF 2)



ITEM NOT SHOWN NBR 10,12,13